



iSOS emergency call button module (Asia Only)

Introduction

The iSOS series are wireless emergency call button products available in Indoor, outdoor waterproof, and handheld types, through sub-1G RF communication interface, they can achieve real wireless deployment. They provide emergency help function, improve protection for personal safety. This system is very suitable for use in a public area. For example, public toilets, hospitals, nursing homes, open campuses and large parking lots, etc. The iSOS series is installed with a CR-123A battery that delivers reliable electricity and reduces the cost of wiring. It can achieve emergency information transmission and meet requirements of low energy consumption, wireless communication, and emergency monitoring, etc. It can greatly reduce the time and human resources required for system implementation and maintenance.

System Specifications

Model	iSOS-100	iSOS-300-IP65	iSOS-800-PT
RF Interface			
Radio Frequency	433.1000 ~ 434.6000 MHz		
Channels	0 ~ 15 (Selectable by DIP Switch)		
Group ID	0 ~ 3 (Selectable by DIP Switch)		
Transmission Power	9±1dBm (PA Off) / 18±1dBm (PA On)		
Transmission Distance (LoS)	50 m		
Node ID	1 ~ 31 configured by DIP switch		
Transmission Cycle	1 / 10 / 30 / 60 Secs. 3 / 5 / 10 / 30 Mins. (Selectable by DIP Switch) 1 Sec.(Emergency Triggered Only)		
Antenna			
Type	0 dBi Spring antenna (Omni-directional)	0.83 dBi Chip antenna (Omni-directional)	
Power			
Consumption	0.596mAh@1 Day	0.577mAh@1 Day	1.069mAh@1 Day
Battery	1 x CR123A (3.0 VDC) Battery Life: 2 years (Working Duty: 1 Min.)		
Mechanical			
Dimensions (mm)	92 x 136 x 52(W x L x H)	90 x 150 x 103(W x L x H)	43 x 70 x 21 (W x L x H)
Ingress Protection Rating	--	IP65	--
Installation	Wall-mount	Wall-mount	Hook
Environment			
Operating Temperature	-25°C ~ +60°C	-25°C ~ +60°C	-25°C ~ +60°C
Storage Temperature	-30 ~ +80°C (No battery included) -20 ~ +45°C (Battery included)		
Humidity	10 ~ 90% RH(Non-condensing)		

Features

- Provide emergency message for help report function
- Powered by built-in disposable lithium batteries
- Support 433MHz Radio Frequency
- Selectable 16 Radio Frequency Channels
- Active online report

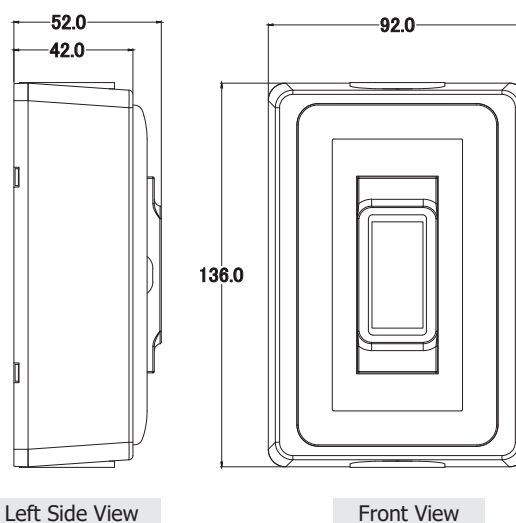


Applications

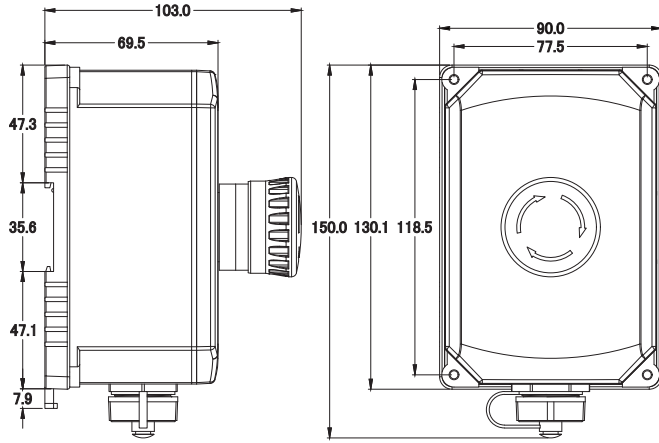


Dimensions (Units: mm)

iSOS-100



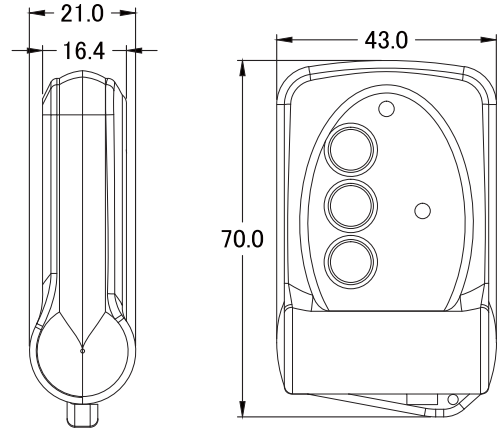
iSOS-300-IP65



Left Side View

Front View

iSOS-800-PT

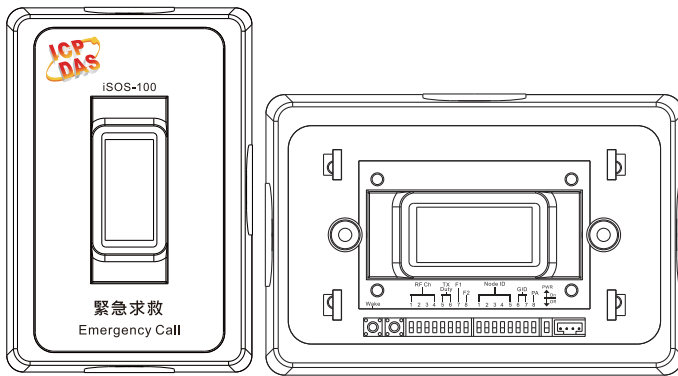


Left Side View

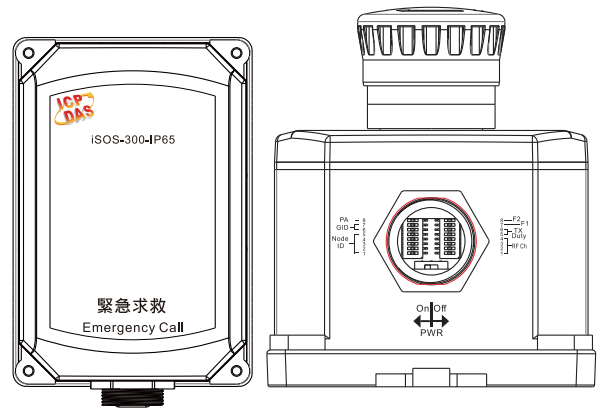
Front View

Appearance

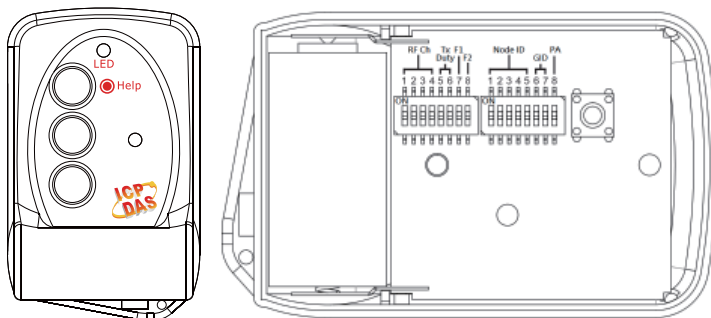
iSOS-100



iSOS-300-IP65



iSOS-800-PT



Ordering Information

iSOS-100 CR	iSOS indoor emergency call button module(RoHS) (Asia Only)
iSOS-300-IP65 CR	iSOS waterproof emergency call button module (RoHS) (Asia Only)
iSOS-800-PT CR	iSOS handheld emergency call button module (RoHS) (Asia Only)